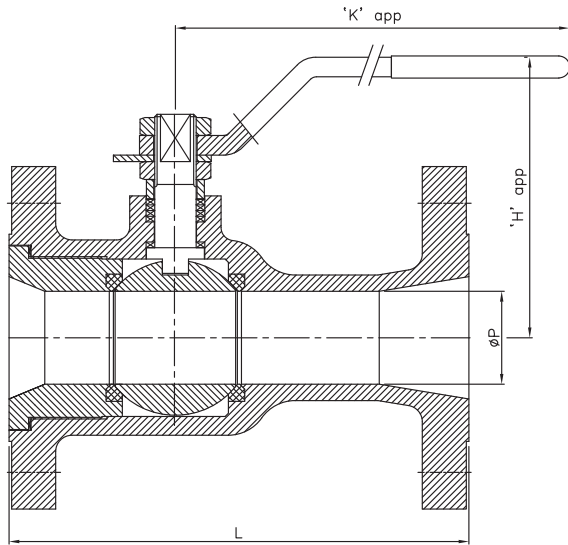


MATERIAL SPECIFICATION

PARTS	MATERIAL		
BODY	A 216 WCB	A 351 CF8	A 351 CF8M
BALL	T304/A 351 CF8		T316/A 351 CF8M
SEAT	PTFE		
SPINDLE	T410	T304	T316
GLAND BUSH	T410	T304	T316
HANDLE	STEEL WITH PVC CAP		
HANDLE NUT	STEEL	T304	
GASKET	PTFE		
GLAND PACKING	PTFE		
BOTTOM WASHER	PTFE		
END PIECE	A 216 WCB	A 351 CF8	A 351 CF8M
GLAND NUT	CARBON STEEL	T304	T316
NAME PLATE	ALUMINIUM/SS		
POSITION INDICATOR	ALUMINIUM/SS		

06

**BALL VALVE**



DIMENSION TABLE 150 CLASS

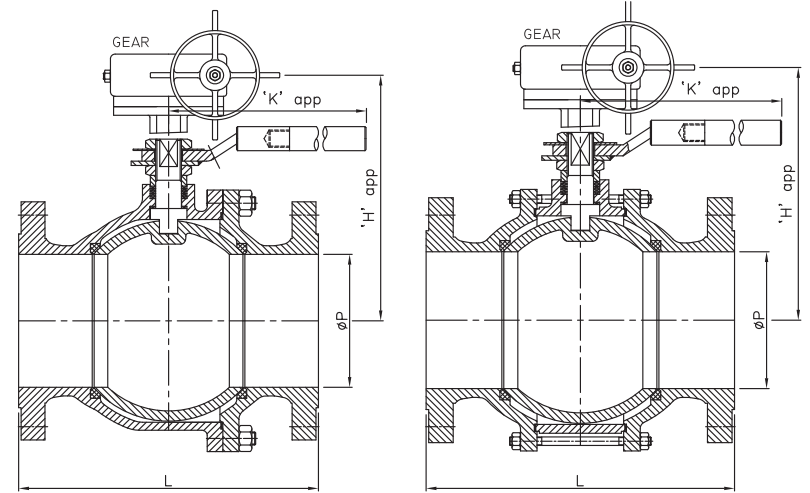
VALVE SIZE in mm	1 25	1.5 40	2 50	2.5 65	3 80	4 100	6 150
L	5.0 127	6.5 165	7.0 178	7.5 190	8.0 203	9.0 229	10.5 267
H app	95	100	125	140	175	195	235
K app	220	220	220	320	320	385	500
øP	17	28	36	50	57	75	98
Wt. kg app(F/E)	3	6	8.5	17	21	30	42

DIMENSION TABLE 300 CLASS

VALVE SIZE in mm	1 25	1.5 40	2 50	2.5 65	3 80	4 100	6 150
L	6.5 165	7.5 190	8.5 216	9.5 241	11.1 282	12.0 305	15.9 403
H app	95	100	125	140	175	195	235
K app	220	220	220	320	320	385	500
øP	17	28	36	50	57	75	98
Wt. kg app(F/E)	6	9	16	29	33	45	85

DIMENSION TABLE 600 CLASS

VALVE SIZE in mm	1.5 40	2 50	2.5 65	3 80	4 100	6 150
L	9.5 241	11.5 292	13.0 330	14.0 356	17.0 432	22.0 559
H app	125	135	150	200	250	450
K app	220	320	350	400	450	450
øP	28	36	50	57	75	98
Wt. kg app(F/E)	-	-	-	-	-	-



2-PIECE CONSTRUCTION

3-PIECE CONSTRUCTION

DIMENSION TABLE 150 CLASS

VALVE SIZE in mm	1.5 40	2 50	2.5 65	3 80	4 100	6 150	8 200	10 250	12 300
L	6.5 165	7.0 178	7.5 191	8.0 203	9.0 229	10.5 394	18.0 457	21.0 533	24.0 610
H app	100	125	140	150	180	270	325	390	540
K app	220	220	320	320	385	500	600	450	450
øP	37	49	64	75	98	148	198	248	298
Wt. kg app(F/E)	9	14	20	27	40	90	165	225	325

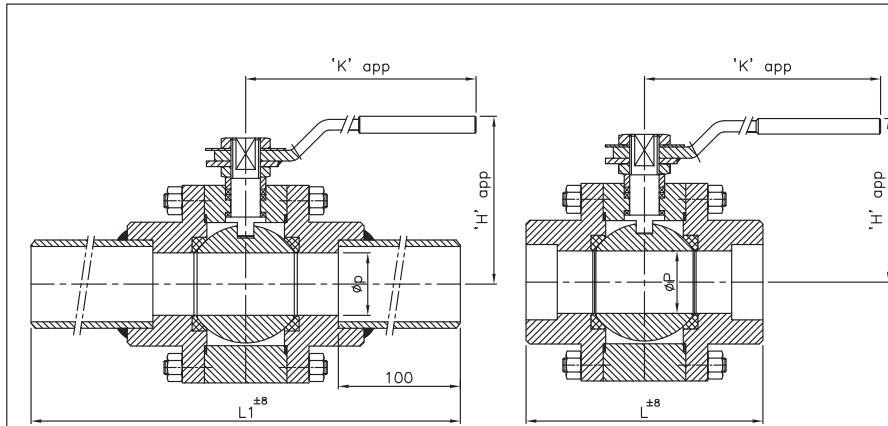
DIMENSION TABLE 300 CLASS

VALVE SIZE in mm	1.5 40	2 50	2.5 65	3 80	4 100	6 150	8 200
L	7.5 190	8.5 216	9.5 241	11.1 282	12.0 305	15.9 403	19.75 502
H app	120	135	150	170	190	300	360
K app	220	220	320	320	385	500	450
øP	37	49	64	75	98	148	198
Wt. kg app(F/E)	12	18	28	35	55	110	235

DIMENSION TABLE 600 CLASS

VALVE SIZE in mm	1.5 40	2 50	2.5 65	3 80	4 100
L	9.5 241	11.5 292	13.0 330	14.0 356	17.0 432
H app	125	135	150	200	250
K app	220	320	350	400	450
Wt. kg app(F/E)	22	30	35	55	75

**BALL VALVE 800 CLASS**  
BS 5351/API6D/BS EN ISO 17292



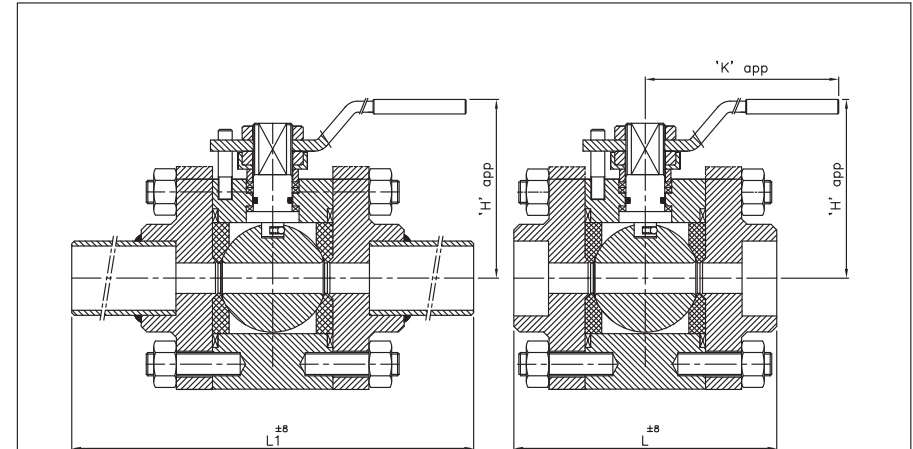
**MATERIAL SPECIFICATION**

PARTS	MATERIAL		
BODY	A 105	A 182 F304	A 182 F316
BALL	T304	A 182 F304	A 182 F316
SEAT	T304		T316
SPINDLE	T410	T304	T316
GLAND BUSH	T410	T304	T316
HANDLE	STEEL		
HANDLE NUT	T410	T304	
STUD & NUT	A 193 B7/A 194 2H	A 193 B8/A 194 Gr.8	
GASKET	PTFE		
GLAND PACKING	PTFE		
BOTTOM WASHER	PTFE		
END PIECE	A 105	A 182 F304	A 182 F316
GLAND NUT	T410	T304	T316
NAME PLATE	ALUMINIUM/SS		
POSITION INDICATOR	ALUMINIUM/SS		
EXTENDED PIPE	ASTM A 106 Gr.B	ASTM A 312 TP 304	ASTM A 312 TP 304

**DIMENSION TABLE 800 CLASS**

VALVE SIZE	0.5	0.75	1	1.25	1.5	2
in	15	20	25	40	40	40
mm	15	20	25	40	40	40
L	2.9	3.1	3.5	5.1	5.1	5.9
	75	80	90	130	130	150
L1	10.0	10.0	10.3	11.9	11.9	12.5
	255	254	264	304	304	318
'H' app	70	80	90	100	110	115
K app	130	140	160	240	240	240
øP	12	19	24	30	37	50
Wt.kg (app)	1.4	2	3.5	6	7	8

**BALL VALVE 900, 1500, 2500 CLASS**  
BS 5351/API6D



**DIMENSION TABLE 900 CLASS**

VALVE SIZE	0.5	0.75	1	1.5
in	15	20	25	40
mm	15	20	25	40
L	3.7	3.7	4.1	4.3
	95	95	105	110
L1	10.8	10.8	10.9	11.1
	275	275	279	284
'H' app	75	85	115	115
K app	125	150	175	240
Wt.kg (app)	-	-	-	-

**DIMENSION TABLE 1500 CLASS**

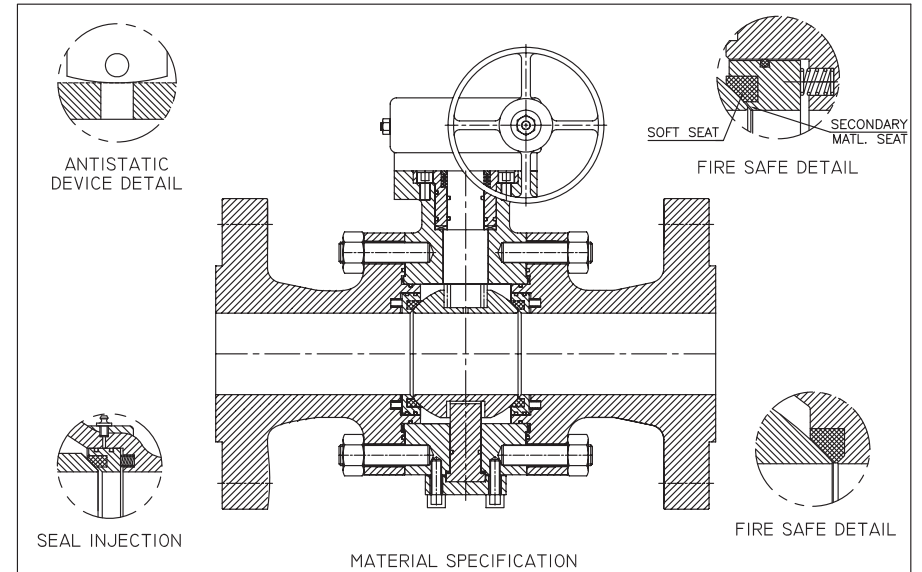
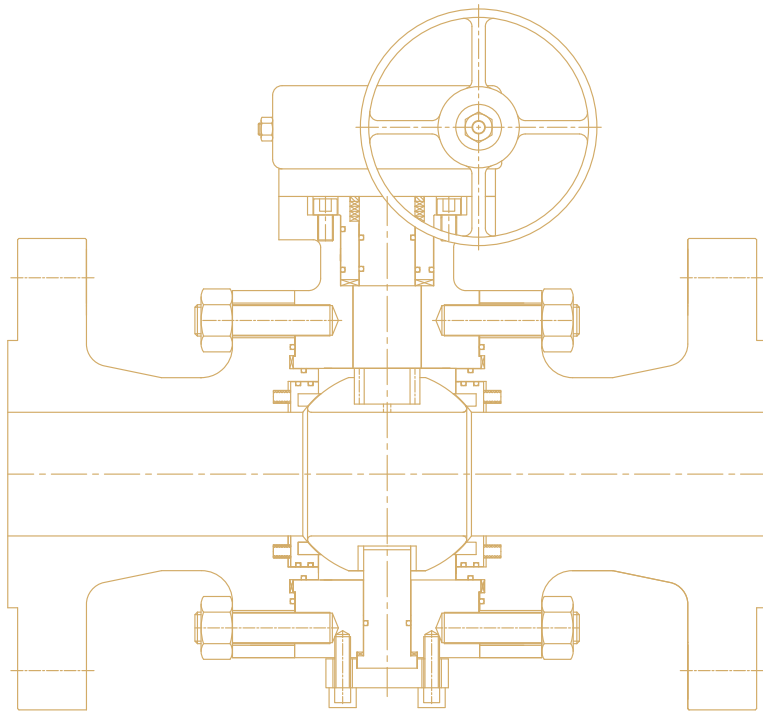
VALVE SIZE	0.5	0.75	1	1.5
in	15	20	25	40
mm	15	20	25	40
L	3.7	3.7	4.1	4.3
	95	95	105	110
L1	10.8	10.8	10.9	11.1
	275	275	279	284
'H' app	75	85	115	115
K app	125	150	175	240
Wt.kg (app)	-	-	-	-

**DIMENSION TABLE 2500 CLASS**

VALVE SIZE	0.5	0.75	1	1.5
in	15	20	25	40
mm	15	20	25	40
L	3.7	3.7	4.1	4.3
	95	95	105	-
L1	10.8	10.8	10.9	11.1
	275	275	279	-
'H' app	85	85	115	-
K app	125	150	175	-
Wt.kg (app)	-	-	-	-



TRUNION MOUNTED BALL VALVE  
 2/3-PIECE FULL BORE/REDUCE BORE  
 CLASS 150,300,600,900,1500,2500.  
 BS 5351/API 6D

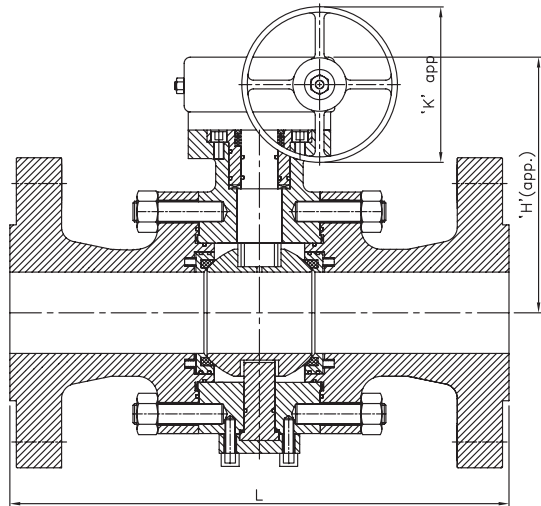


PARTS	MATERIAL		
BODY	A 216 WCB	A 351 CF8	A 351 CF8M
BALL	A 351 CF8		A 351 CF8M
SEAT	PTFE		
SPINDLE	T410	T304	T316
GLAND BUSH	T410	T304	T316
GLAND FLANGE	CARBON STEEL		
HAND WHEEL	CARBON STEEL		
STUD & NUT	A 193 B7/A 194 2H	A 193 B8/A 194 Gr.8	
GLAND STUD & NUT	A 193 B7/A 194 2H	A 193 B8/A 194 Gr.8	
YOKE STUD & NUT	A 193 B7/A 194 2H		
MOUNTING BOLTS	A 193 B7		
TRUNION STUD & NUT	A 193 B7/A 194 2H		
GASKET	SPW SS 304/316 WITH PTFE FILLER/PTFE		
GLAND PACKING	PTFE		
BOTTOM WASHER	PTFE		
END PIECE	A 216 WCB	A 351 CF8	A 351 CF8M
NAME PLATE	ALUMINIUM/SS		
SEAT RETAINER	CARBON STEEL	T304	T316
TRUNION SUPPORT	A 515 Gr.70	T304	T316
GEAR BOX ASSLY.	NITON MAKE		
SPRING	SS 304		SS 316
'O' RING	NEOPRENE		
BOTTOM GASKET	SPW SS 304/316 WITH PTFE FILLER		

1- FLOATING BALL OPTIONAL

07

# BALL VALVE (TRUNION)



**DIMENSION TABLE 150 CLASS**

VALVE SIZE in mm	12 300	14 350	16 400	18 450	20 500	24 600
L	24.0 610	28.0 686	30.0 762	34.0 864	36.0 914	42.0 1067
H app	441	481	598	643	708	863
K app	500	500	500	500	500	550
Wt. kg app(F/E)	410	570	710	9050	1220	1650

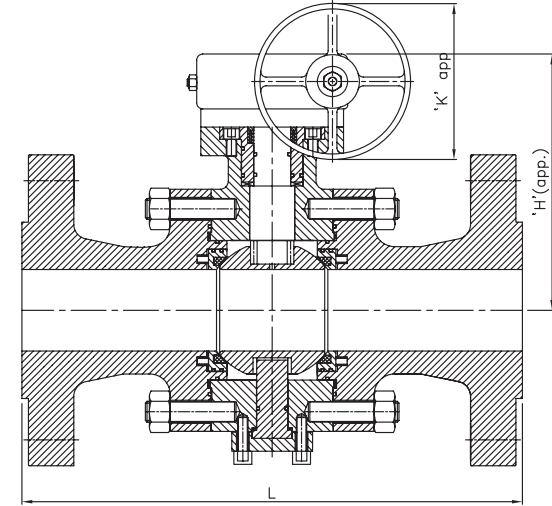
**DIMENSION TABLE 300 CLASS**

VALVE SIZE in mm	12 300	14 350	16 400	18 450	20 500	24 600	26 650	28 700	30 750	32 800	34 850	36 900
L	25.5 648	30.0 762	33.0 838	-	-	45.0 1143	49.0 1245	53.0 1346	55.0 1397	60.0 1524	64.0 1626	68.0 1727
H app	441	481	598	-	-	1175	-	-	-	-	-	-
K app	500	500	500	-	-	-	-	-	-	-	-	-
Wt. kg app(F/E)	675	1055	1425	-	-	-	-	-	-	-	-	-

**DIMENSION TABLE 600 CLASS**

VALVE SIZE in mm	6 150	8 200	10 250	12 300	14 350	16 400	18 450	20 500	22 550	24 600	26 650	28 700	30 750	32 800	34 850	36 900
L	22.0 559	26.0 660	31.0 787	33.0 838	35.0 889	39.0 991	43.0 1092	47.0 1194	51.0 1295	55.0 1397	57.0 1448	61.0 1549	65.0 1651	70.0 1778	76.0 1930	82.0 2083
H app	450	500	700	-	-	-	-	-	-	-	-	-	-	-	-	-
K app	450	500	550	-	-	-	-	-	-	-	-	-	-	-	-	-
Wt. kg app(F/E)	165	325	-	-	-	-	-	-	-	-	-	-	-	-	-	-

1- REDUCE BORE ON OPTIONAL



**DIMENSION TABLE 900 CLASS**

VALVE SIZE in mm	2 50	3 80	4 350	6 400	8 450	10 500	12 600	14 350	16 400	18 450	20 500	22 550	24 600
L	14.5 368	15.0 381	18.0 457	24.0 610	29.0 737	33.0 838	38.0 965	40.5 1029	44.5 1130	48.0 1219	52.0 1321	-	61.0 1549
H app	180	205	-	-	-	-	-	-	-	-	-	-	-
K app	-	-	-	-	-	-	-	-	-	-	-	-	-
Wt. kg app(F/E)	-	-	-	-	-	-	-	-	-	-	-	-	-

**DIMENSION TABLE 1500 CLASS**

VALVE SIZE in mm	2 50	3 80	4 350	6 400	8 450	10 500	12 600	14 350	16 400	18 450	20 500	22 550	24 600
L	14.5 368	18.5 470	21.5 546	27.7 705	32.7 832	39.0 991	44.5 1130	49.5 1257	54.5 1384	-	-	-	-
H app	-	-	-	-	-	-	-	-	-	-	-	-	-
K app	-	-	-	-	-	-	-	-	-	-	-	-	-
Wt. kg app(F/E)	-	-	-	-	-	-	-	-	-	-	-	-	-

**DIMENSION TABLE 2500 CLASS**

VALVE SIZE in mm	2 50	3 80	4 350	6 400	8 450	10 500	12 600	14 350	16 400	18 450	20 500	22 550	24 600
L	17.7 451	22.7 578	26.5 673	36.0 914	40.2 1022	50.0 1270	56.0 1422	-	-	-	-	-	-
H app	-	-	-	-	-	-	-	-	-	-	-	-	-
K app	-	-	-	-	-	-	-	-	-	-	-	-	-
Wt. kg app(F/E)	-	-	-	-	-	-	-	-	-	-	-	-	-

1- REDUCE BORE ON OPTIONAL