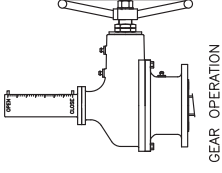
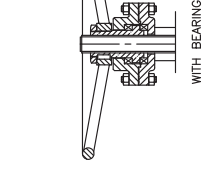
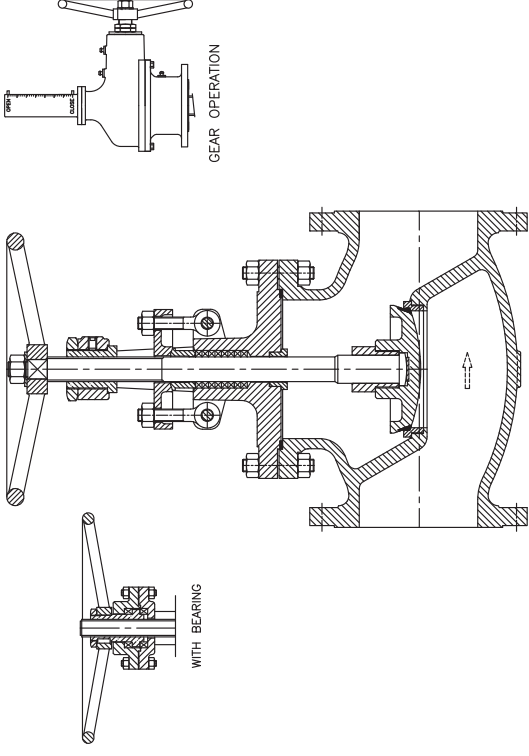
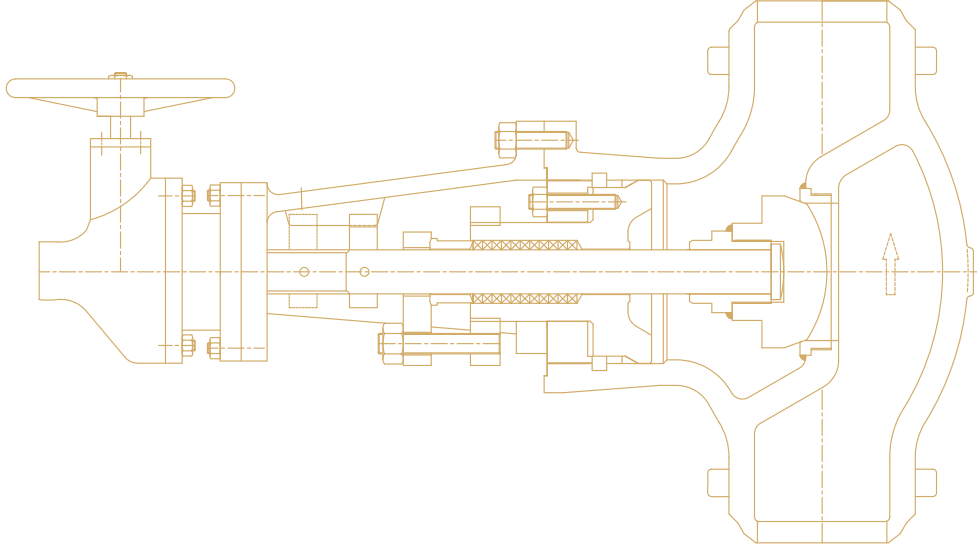




GLOBE VALVE CLASS 150, 300, 600.  
BS 1873/ASME B 16.34



MATERIAL SPECIFICATION

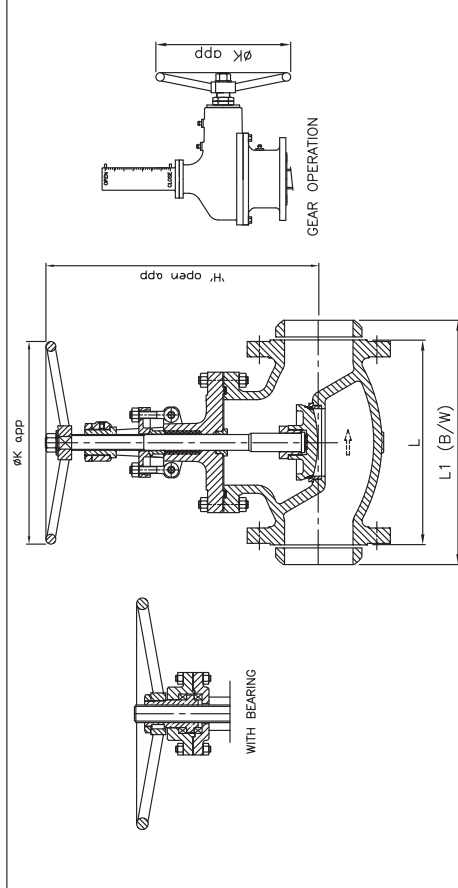
PARTS	MATERIAL	MATERIAL	MATERIAL
BODY	A 216 Gr.WCB	A 217 WC6	A 351 CF8
BONNET	A 216 Gr.WCB	A 217 WC6	A 351 CF8
PLUG	CA15/ 13% Cr. FACING ON WCB	A 217 WC6+	A 351 CF8
	CA15/A 515-70/ 13%Cr FACING	S.S. 304	A 351 CF8
SEAT RING 1	T410	INTEGRAL	INTEGRAL
SPINDLE	T410	T304	T316
GLAND BUSH	T410	T304	T316
GLAND FLANGE	CARBON STEEL/WCB	S.S 304	S.S 304
YOKE NUT	ASTM A 439 D2		AL-BRONZE
PLUG NUT	T410	T304	T304
HAND WHEEL		CARBON STEEL	
HAND WHEEL NUT	A 194 2H		A 194 Gr.8
STUD & NUT	A 193 B7/A 194 2H / A 193 B16/A 194 Gr. 7		A 193 B8/A 194 Gr.8
EYE BOLT & NUT	A 193 B7/A 194 2H		A 193 B7/A 194 2H
CROSS BOLT & NUT	A 193 B7/A 194 2H		A 193 B7/A 194 2H
GASKET	SPW S.S 304/ 316 WITH GRAFOIL		
GLAND PACKING		GRAPHÖIL	
THRUST WASHER	T410 (HARDENED STEEL)	T304	T316
WASHER		STEEL	
GRUB SCREW		STEEL	
LOCK NUT		STEEL	
NAME PLATE		ALUMINIUM/SS	

- 1 - SEAL WELD 3"NB & ABOVE.
- 2 - INTEGRAL SEAT FOR AUSTENITIC STEEL VALVES OPTIONAL.
- 3 - SEAT AND PLUG STELLITING OPTIONAL.
- 4 - THRUST BEARING, NON-ROTATING STEM WITH YOKE SLEEVE PROVIDED 12"/10"/8"NB & ABOVE SIZES
- 5 - GUIDED DISC PROVIDED (12"x150", 300# & 8"x600#).

002

GLOBE VALVE

GLOBE VALVE CLASS 150, 300, 600.  
BS 1873/ASME B 16.34



DIMENSION TABLE GBV 150 CLASS

VALVE SIZE in	2	2.5	3	4	5	6	8	10	12	14	16	18	20	22	24	26	28	30	32	36
VALVE SIZE mm	50	65	80	100	125	150	200	250	300	350	400	450	500	550	600	650	700	750	800	900
L	8.0	8.5	9.5	11.5	14.0	15.7	17.5	22.0	24.5	28.0	33.0	34.0	38.5	40.0	44.0	53.0	53.0	59.0	62.7	82.0
L1	8.0	8.5	9.5	11.5	14.0	16.0	19.5	24.5	27.5	31.0	36.0	38.5	42.0	51.0	51.0	57.0	60.0	60.0	60.0	77.0
H app	12.5	13.0	15.0	18.9	20.7	22.7	25.6	30.7	36.8	46.7	49.2	53.1	55.5	60.0	65.0	1067	1295	1295	1448	1524
ØK app	200	200	250	300	350	450	500	600	700	800	800	850	900	900	900	900	900	900	900	900
Wt. kg app(F/E)	20	30	38	57	75	98	174	282	395	620	790	925	1800	1910	2220	—	—	—	—	—

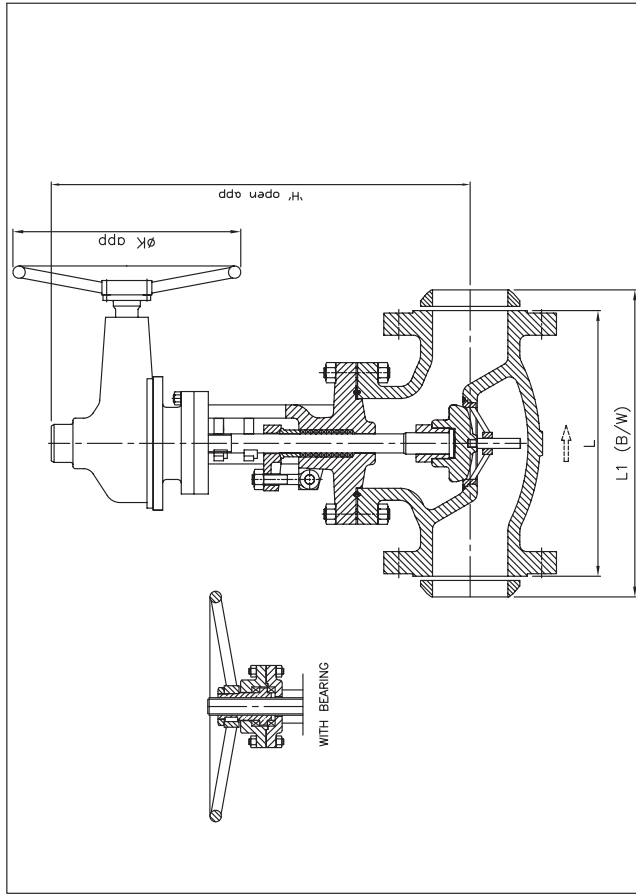
DIMENSION TABLE GBV 300 CLASS

VALVE SIZE in	2	2.5	3	4	5	6	8	10	12	14	16	18	20	22	24	26	28	30	32	36
VALVE SIZE mm	50	65	80	100	125	150	200	250	300	350	400	450	500	550	600	650	700	750	800	900
L	10.5	11.5	12.5	14.0	15.7	17.5	22.0	24.5	28.0	33.0	34.0	38.5	40.0	44.0	53.0	53.0	59.0	62.7	82.0	—
L1	10.5	11.5	12.5	14.0	15.7	17.5	22.0	24.5	28.0	33.0	34.0	38.5	40.0	44.0	53.0	53.0	59.0	62.7	82.0	—
H app	14.2	16.1	17.7	20.9	23.2	25.6	29.0	32.5	37.4	45.0	54.0	56.0	56.0	56.0	1118	1346	1346	1499	1594	2083
ØK app	360	410	450	530	590	650	735	825	950	1145	1370	1422	1475	—	—	—	—	—	—	—
ØK app	200	250	300	350	400	450	600	700	750	800	800	850	900	—	—	—	—	—	—	—
Wt. kg app(F/E)	30	45	60	95	125	150	235	390	590	965	1115	1400	1800	—	—	—	—	—	—	—

DIMENSION TABLE GBV 600 CLASS

VALVE SIZE in	2	2.5	3	4	5	6	8	10	12	14	16	18	20	22	24	26	28	30	32	36
VALVE SIZE mm	50	65	80	100	125	150	200	250	300	350	400	450	500	550	600	650	700	750	800	900
L	11.5	13.0	14.0	17.0	20.0	22.0	26.0	31.0	33.0	35.0	39	43	47	55.0	57.0	63.0	65.0	—	—	—
L1	11.5	13.0	14.0	17.0	20.0	22.0	26.0	31.0	33.0	35.0	39	43	47	55.0	57.0	63.0	65.0	—	—	—
H app	16.0	16.7	19.3	25.0	27.0	29.1	38.4	42.5	48.4	57	58	65.3	70.5	—	—	—	—	—	—	—
ØK app	400	425	490	635	685	740	975	1080	1230	1450	1470	1660	1790	—	—	—	—	—	—	—
ØK app	250	300	350	400	450	500	600	650	700	700	700	750	750	—	—	—	—	—	—	—
Wt. kg app(F/E)	35	40	68	128	185	250	435	825	910	—	—	—	—	—	—	—	—	—	—	—

GLOBE VALVE CLASS 900, 1500, 2500.  
BS 1873/ASME B 16.34



DIMENSION TABLE GBV 900 CLASS

VALVE SIZE in	2	3	4	6	8	10	12	14	16	18	20	24
VALVE SIZE mm	50	80	100	150	200	250	300	350	400	450	500	600
L	14.5	15.0	18.0	24.0	29.0	33.0	37.9	40.5	44.4	47.9	52.0	60.9
L1	14.5	15.0	18.0	24.0	29.0	33.0	37.9	40.5	44.4	47.9	52.0	60.9
H app	368	381	457	610	737	838	965	1029	1130	1219	1321	1549
ØK app	300	400	500	600	700	735	—	—	—	—	—	—
Wt. kg app(F/E)	85	140	240	450	810	1150	—	—	—	—	—	—

DIMENSION TABLE GBV 1500 CLASS

VALVE SIZE in	2	3	4	6	8	10	12	16
VALVE SIZE mm	50	80	100	150	200	250	300	400
L	14.5	18.5	21.5	27.7	32.7	39.0	44.4	54.4
L1	14.5	18.5	21.5	27.7	32.7	39.0	44.4	54.4
H app	368	470	546	705	832	981	1130	1384
ØK app	350	450	500	700	800	—	—	—
Wt. kg app(F/E)	95	155	305	550	900	—	—	—

DIMENSION TABLE GBV 2500 CLASS

VALVE SIZE in	2	3	4	6	8	10	12	16
VALVE SIZE mm	50	80	100	150	200	250	300	400
L	14.5	18.5	21.5	27.7	32.7	39.0	44.4	54.4
L1	14.5	18.5	21.5	27.7	32.7	39.0	44.4	54.4
H app	451	578	673	914	1022	1270	1422	—
ØK app	400	500	700	750	—	—	—	—
Wt. kg app(F/E)	115	346	490	910	—	—	—	—

PARTS			MATERIAL SPECIFICATION		
PARTS	MATERIAL	MATERIAL	MATERIAL	MATERIAL	MATERIAL
BODY	A 216 WCB	A 217 WCB	A 351 CF8	A 351 CF8M	A 351 CF8M
BONNET	A 216 WCB	A 217 WCB	A 351 CF8	A 351 CF8M	A 351 CF8M
YOKE	A 216 WCB	A 217 WCB	A 351 CF8	A 351 CF8M	A 351 CF8M
PLUG	CA15/13% Cr. FACING ON WCB+STELLITED	A 217 WCB+STELLITED	A 351 CF8+STELLITED	A 351 CF8M+STELLITED	A 351 CF8M+STELLITED
SEAT RING 1	A 515-70/13%Cr. STELLITED	S.S. 304+STELLITED	T304 + STELLITED	T316 + STELLITED	T316 + STELLITED
BACK SEAT			INTEGRAL		
SPINDLE	T410		T304		T316
GLAND BUSH	T410		T304		T316
GLAND FLANGE	CARBON STEEL/A 216 WCB		S.S. 304		S.S. 304
YOKE SLEEVE	ASTM A 439 D2		AL-BRONZE		
CASING COVER	A 216 WCB	A 217 WCB	A 351 CF8	A 351 CF8	A 351 CF8
BONNET PLATE	A 515-70/A 216 WCB	SS304/A 216 WCB	SS 304	SS 304	SS 304
GUIDE PLATE		A 515 70/A 216 WCB			
HAND WHEEL		CARBON STEEL			
HAND WHEEL NUT		CARBON STEEL	S.S. 304	S.S. 304	S.S. 304
STUD & NUT	A 193 B7/A 194 2H	A 193 B16/A 194 Gr.7	A 193 B8/A 194 Gr.8	A 193 B8/A 194 Gr.8	A 193 B8/A 194 Gr.8
GLAND STUD & NUT	A 193 B7/A 194 2H		A 193 B7/A 194 2H	A 193 B7/A 194 2H	A 193 B7/A 194 2H
CASING STUD & NUT		A 193 B7/A 194 2H			
YOKE STUD & NUT		A 193 B7/A 194 2H			
GLAND PACKING		GRAPHOIL			
SEAL RING		T304			T316
SPACER RING	ASTM A 515 70	T304	T304	T316	T316
SEGMENTAL RING	ASTM A 515 70	T304	T304	T316	T316
LOCKING BOLT		Gr.B7			
NAME PLATE		ALUMINIUM/SS			
BEARING		STANDARD			

1 - SEAL WELDED

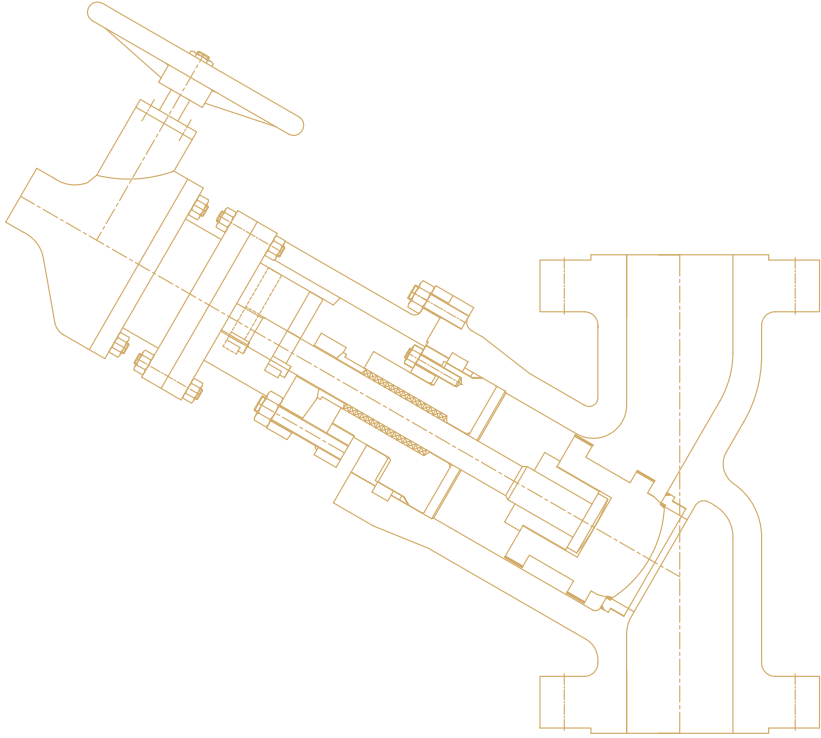
DIMENSION TABLE GBV 900 CLASS																							
VALVE SIZE	in	2	3	4	6	8	10	12	14	16	18	20	24										
mm		50	80	100	150	200	250	300	350	400	450	500	600										
L		14.5	15.0	18.0	24.0	29.0	33.0	36.0	40.5	44.5	48.0	52.0	61.0										
L1		12.0	14.0	20.0	26.0	31.0	36.0	39.0	43.0														
H app		460	600	740	860	1040	1120	1475															
ØK app		300	400	500	600	700	735	650															
Wt. kg app		60	90	170	310	550	770																

DIMENSION TABLE GBV 1500 CLASS																							
VALVE SIZE	in	2	3	4	6	8	10	12	14	16	18	20	24										
mm		50	80	100	150	200	250	300	350	400	450	500	600										
L		14.5	18.5	21.5	27.75	32.7	39.0	44.4	49.4	54.4	60.5	65.5	76.4										
L1		8.5	12.0	16.0	22.0	28.0	34.0	39.0	42.0	47.0													
H app		480	785	790	1080	1150																	
ØK app		350	450	500	700	800																	
Wt. kg app		85	95	235	340	600																	

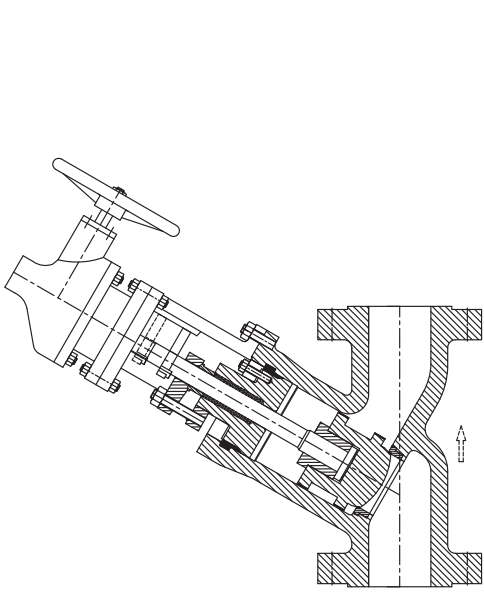
  

DIMENSION TABLE GBV 2500 CLASS																							
VALVE SIZE	in	2	3	4	6	8	10	12	14	16	18	20	24										
mm		50	80	100	150	200	250	300	350	400	450	500	600										
L		17.7	22.7	26.5	36.0	40.2	50.0	56.0															
L1		11.0	14.5	18.0	24.0	30	36.0	41.0															
H app		610	795	975	1120	1330	1600	1690															
ØK app		400	500	700	750	750	550																
Wt. kg app		80	270	375	610																		



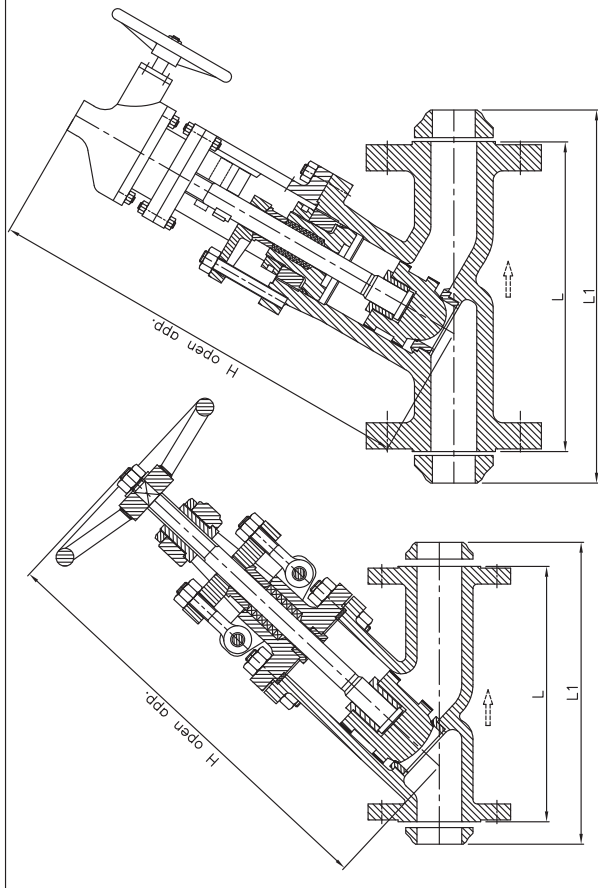
# 03

## Y TYPE GLOBE VALVE



### MATERIAL SPECIFICATION

PARTS	MATERIAL					
	A 216 WCB	A 217 WC6	A 351 CF8	A 351 CF8M	A 351 CF8	A 351 CF8M
BODY	A 216 WCB	A 217 WC6	A 351 CF8	A 351 CF8M	A 351 CF8	A 351 CF8M
BONNET	A 216 WCB	A 217 WC6	A 351 CF8	A 351 CF8M	A 351 CF8	A 351 CF8M
YOKE	A 216 WCB	A 217 WC6	A 351 CF8	A 351 CF8M	A 351 CF8	A 351 CF8M
PLUG	CA15/13%Cr FACING ON WCB+STELLITED	A 217 WC6+STELLITED	A 351 CF8+STELLITED	A 351 CF8M+STELLITED	A 351 CF8+STELLITED	A 351 CF8M+STELLITED
SEAT RING	A 105/13%Cr+STELLITED	S.S. 304+STELLITED	SS 304+STELLITED	SS 316+STELLITED	SS 304+STELLITED	SS 316+STELLITED
BACK SEAT	T410	T410	INTEGRAL	INTEGRAL	INTEGRAL	INTEGRAL
SPINDLE	T410	T410	T304	T316	T304	T316
GLAND BUSH	T410	T410	T304	T316	T304	T316
GLAND FLANGE	A 216 WCB	A 217 WC6	A 351 CF8	A 351 CF8M	A 351 CF8	A 351 CF8M
YOKE SLEEVE	A 439 Gr-D2		AL-BRONZE			
PLUG NUT	T410		T304	T316	T304	T316
BONNET PLATE	A 515-70		S.S. 304		S.S. 304	
GLAND PLATE	A 515-70		S.S. 304		S.S. 304	
GUIDE PLATE	A 515-70		S.S. 304		S.S. 304	
HAND WHEEL	CARBON STEEL		CARBON STEEL		CARBON STEEL	
STUD & NUT	A 193 B7/A 194 2H	A 193 B16/A 194 Gr. 7	A 193 B8/A 194 Gr. 8		A 193 B7/A 194 2H	
GLAND STUD & NUT	A 193 B7/A 194 2H		A 193 B7/A 194 2H		A 193 B7/A 194 2H	
YOKE STUD & NUT	A 193 B7/A 194 2H		A 193 B7/A 194 2H		A 193 B7/A 194 2H	
MOUNTING STUD & NUT	A 193 B7/A 194 2H		A 193 B7/A 194 2H		A 193 B7/A 194 2H	
GLAND PACKING		GRAFOIL				
SEAL RING	T304		T304	T316	T304	T316
SPACER RING	A 515-70		SS 304		SS 304	
SEGMENTAL RING	A 515-70		SS 304		SS 304	
KEY		C40				
NAME PLATE		ALUMINIUM/S.S.				
GEAR BOX ASSLY.		NITON MAKE				



DIMENSION TABLE 150 CLASS

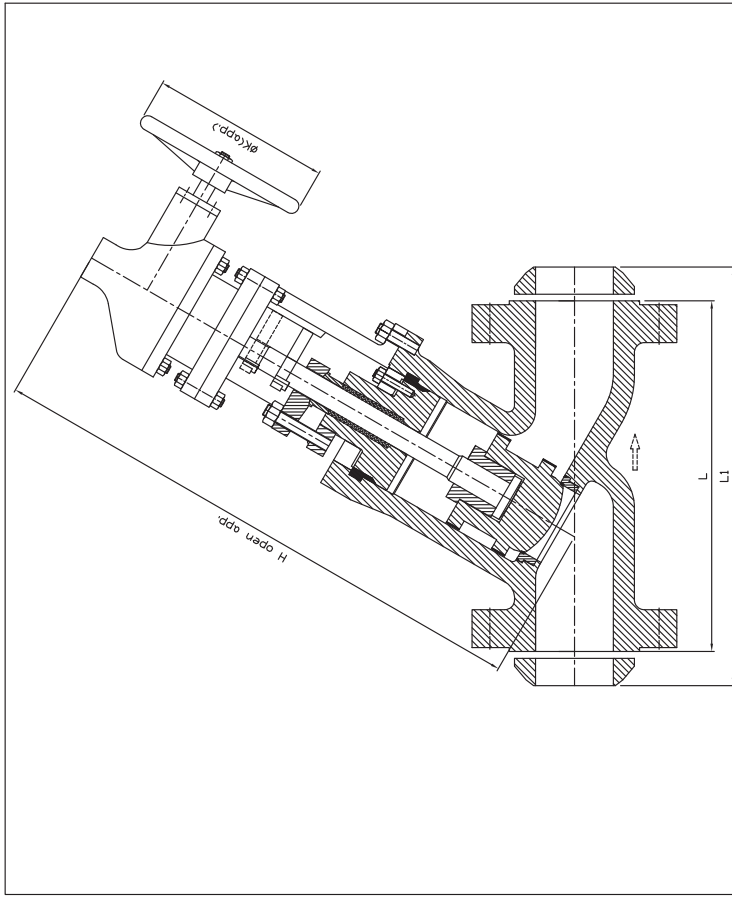
VALVE SIZE	2	3	4	6	8	10	12	14	16	18	20	22	24
in	50	80	100	150	200	250	300	350	400	450	500	550	600
mm	10.5	12.5	14.4	18.5	23.5	26.5	30.5	35.0	40.0	45.0	50.0	55.0	60.0
L	229	318	368	470	597	673	775	—	—	—	—	—	—
L1	9.0	12.5	14.4	18.5	23.5	26.7	30.5	—	—	—	—	—	—
H app	229	318	368	470	597	673	775	—	—	—	—	—	—
Wt. kg	455	495	530	575	620	665	—	—	—	—	—	—	—
app(F/E)	—	—	—	—	—	—	—	—	—	—	—	—	—

DIMENSION TABLE 300 CLASS

VALVE SIZE	2	3	4	6	8	10	12	14	16	18	20	22	24
in	50	80	100	150	200	250	300	350	400	450	500	550	600
mm	10.5	12.5	14.0	17.5	22.0	24.5	28.5	32.0	35.0	40.0	45.0	50.0	60.0
L	267	318	356	444	559	622	—	—	—	—	—	—	—
L1	10.5	12.5	14.0	17.5	22.0	24.5	—	—	—	—	—	—	—
H app	267	318	356	444	559	622	—	—	—	—	—	—	—
Wt. kg	410	480	520	590	650	710	—	—	—	—	—	—	—
app(F/E)	—	—	—	—	—	—	—	—	—	—	—	—	—

DIMENSION TABLE 600 CLASS

VALVE SIZE	2	3	4	6	8	10	12	14	16	18	20	22	24
in	50	80	100	150	200	250	300	350	400	450	500	550	600
mm	11.5	14.0	17.0	22.0	26.0	31.0	36.0	41.0	46.0	51.0	56.0	61.0	66.0
L	292	356	432	559	660	787	—	—	—	—	—	—	—
L1	11.5	14.0	17.0	22.0	26.0	31.0	—	—	—	—	—	—	—
H app	292	356	432	559	660	787	—	—	—	—	—	—	—
Wt. kg	430	510	545	635	680	740	—	—	—	—	—	—	—
app(F/E)	—	—	—	—	—	—	—	—	—	—	—	—	—



DIMENSION TABLE 900 CLASS

VALVE SIZE	2	3	4	6	8	10	12
in	50	80	100	150	200	250	300
mm	14.4	15.0	17.9	24.0	29.0	32.9	—
L	568	381	457	610	737	838	—
L1	—	—	—	—	—	—	—
H app	540	590	650	750	1175	1380	—
ØK app	350	400	500	600	700	750	—
Wt. kg	app(F/E)	—	—	—	—	—	—

DIMENSION TABLE 1500 CLASS

VALVE SIZE	2	3	4	6	8	10	12
in	50	80	100	150	200	250	300
mm	14.4	18.5	21.4	27.7	32.7	39.0	—
L	568	470	546	705	832	991	—
L1	14.4	18.5	21.4	27.7	32.7	39.0	—
H app	540	590	675	775	1210	1415	—
ØK app	350	450	550	650	750	750	—
Wt. kg	app(F/E)	—	—	—	—	—	—

DIMENSION TABLE 2500 CLASS

VALVE SIZE	2	3	4	6	8	10	12
in	50	80	100	150	200	250	300
mm	17.7	22.7	26.4	35.9	40.2	—	—
L	451	578	673	914	1022	—	—
L1	—	—	—	—	—	—	—
H app	580	770	960	1000	1150	1390	—
ØK app	—	—	—	—	—	—	—
Wt. kg	app(F/E)	—	—	—	—	—	—

DIMENSION TABLE 4500 CLASS

VALVE SIZE	2	3	4	6	8	10	12
in	50	80	100	150	200	250	300
mm	—	—	—	—	—	—	—
L	—	—	—	—	—	—	—
L1	—	—	—	—	—	—	—
H app	—	—	—	—	—	—	—
ØK app	—	—	—	—	—	—	—
Wt. kg	app(F/E)	—	—	—	—	—	—